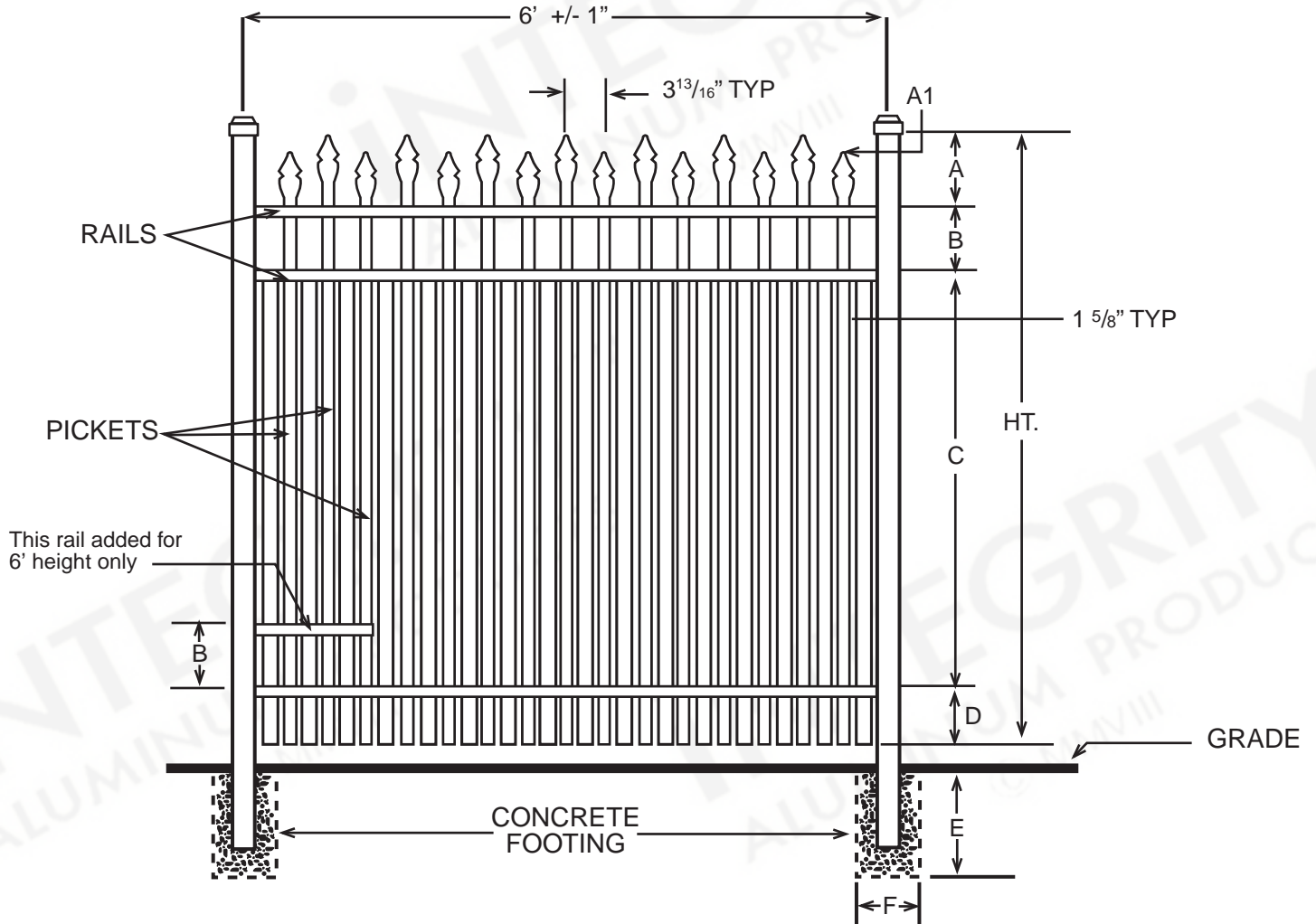


**iNTEGRITY™**  
ALUMINUM PRODUCTS  
800.762.8876

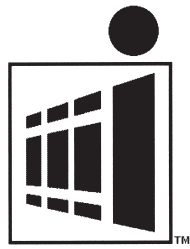


## BELLA TERRA™ CLASSIC EXTREME

DIMENSIONS							
HT	A	A1	B	C	D	E	F
3'	4½"	1½"	6"	20"	5½"	Per Local Code	
3½'	4½"	1½"	6"	26"	5½"	Per Local Code	
4'	4½"	1½"	6"	32"	5½"	Per Local Code	
5'	4½"	1½"	6"	44"	5½"	Per Local Code	
6'	4½"	1½"	6"	56"	5½"	Per Local Code	
All Dimensions Are Nominal							

## SPECIFICATIONS RESIDENTIAL

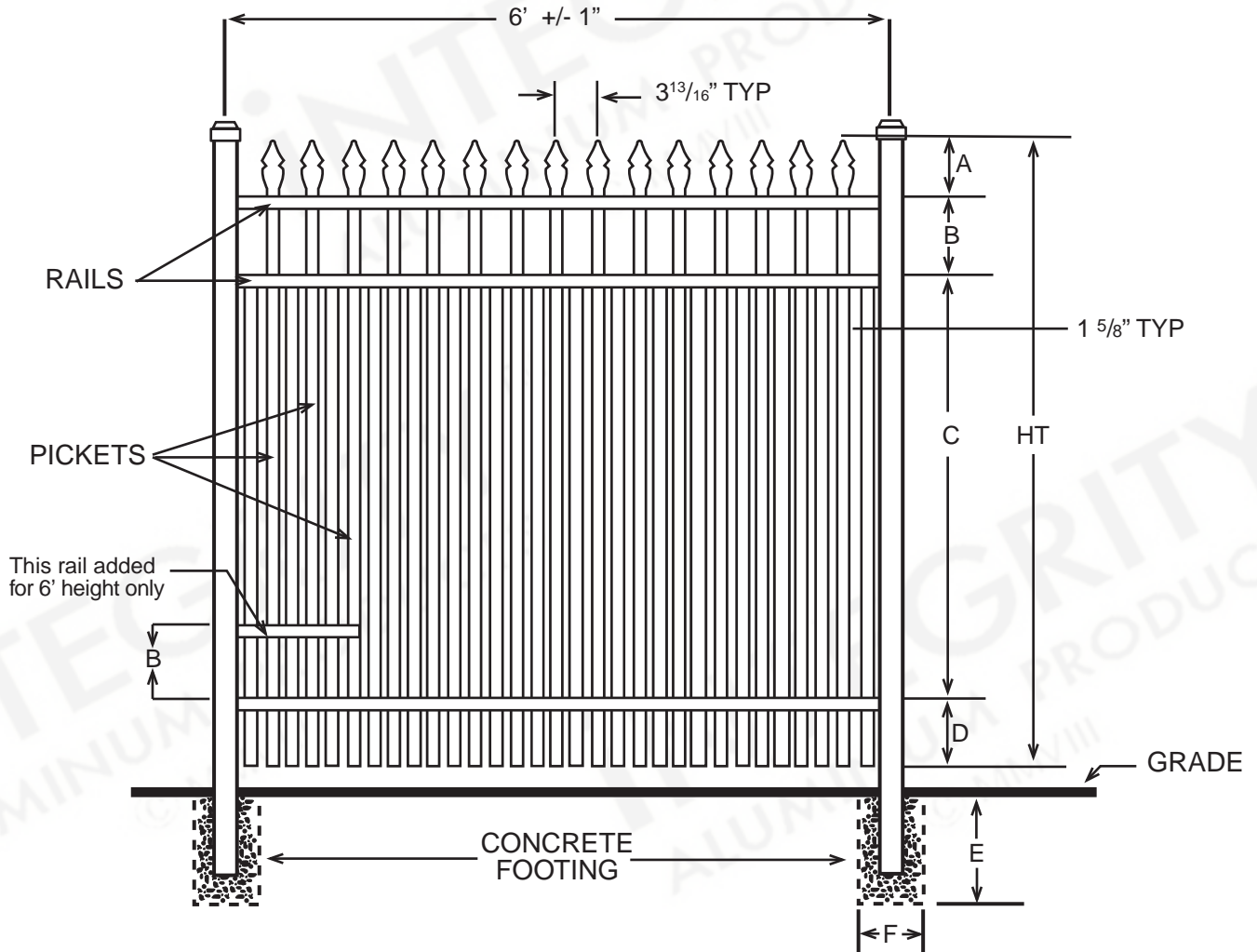
Posts Available	2" x 2" x .060 Wall 2" x 2" x .080 Wall 2" x 2" x .125 Wall 2½" x 2½" x .100 Wall
Horizontal Rails Side Walls Top Walls	1⅛" x 1" .082" .062"
Pickets Picket Spacing	⅝" x ⅝" x .050 Wall 1⅝"
Heights Available	3, 3½, 4, 5 & 6 Ft.



# INTEGRITY™

ALUMINUM PRODUCTS

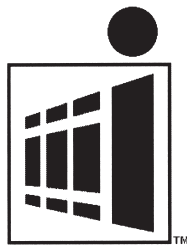
800.762.8876



## BELLA VISTA™ CLASSIC EXTREME

DIMENSIONS						
HT	A	B	C	D	E	F
3'	4½"	6"	20"	5½"	Per Local Code	
3½'	4½"	6"	26"	5½"	Per Local Code	
4'	4½"	6"	32"	5½"	Per Local Code	
5'	4½"	6"	44"	5½"	Per Local Code	
6'	4½"	6"	56"	5½"	Per Local Code	
<b>ALL DIMENSIONS ARE NOMINAL</b>						

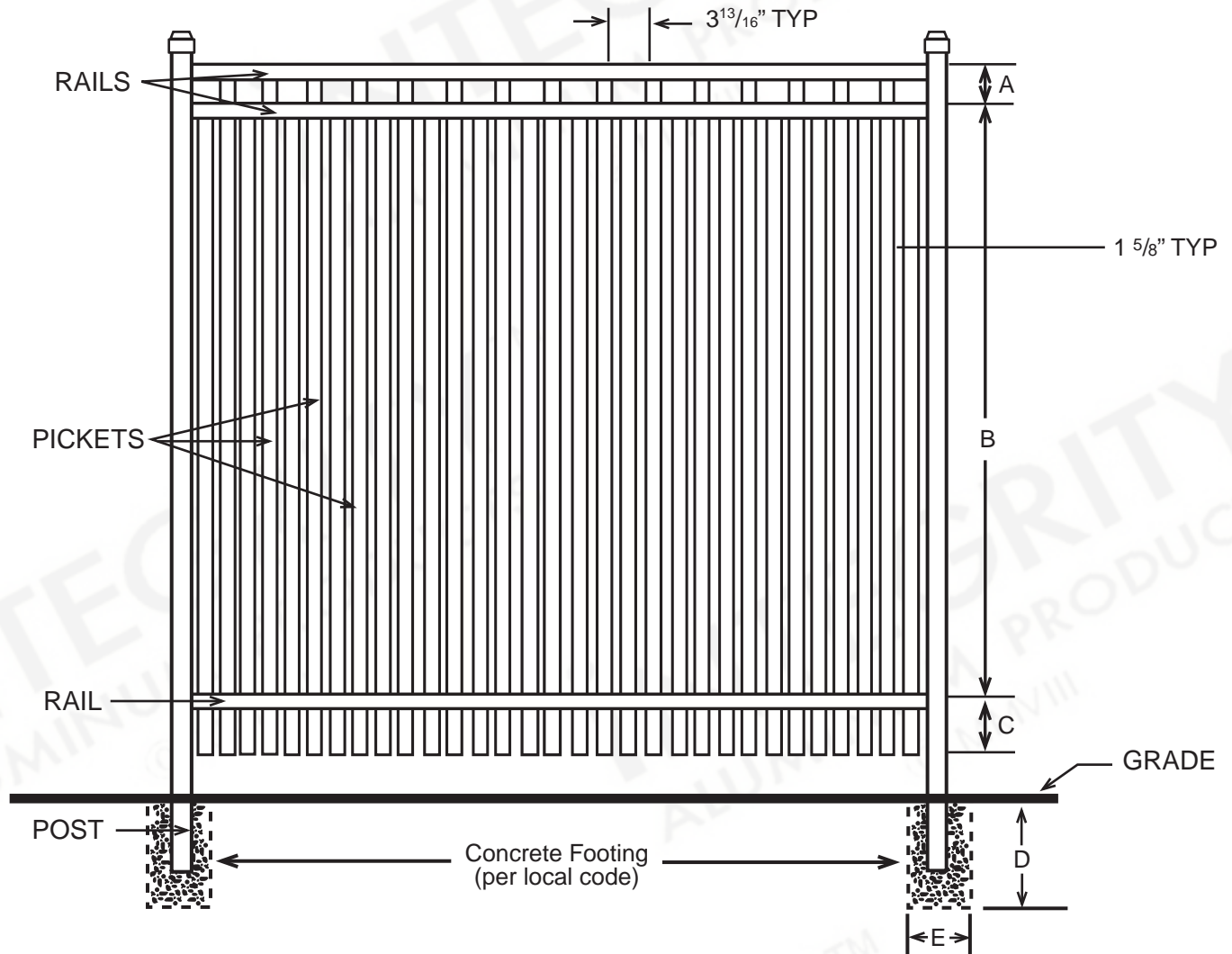
SPECIFICATIONS RESIDENTIAL	
Posts Available	2" x 2" x .060 Wall 2" x 2" x .080 Wall 2" x 2" x .125 Wall 2½" X 2½" X .100 Wall
Horizontal Rails Side Walls Top Walls	1⅛" x 1" .082" .062"
Pickets Picket Spacing	⅝" x ⅝" x .050 Wall 1⅝"
Heights Available	3, 3½, 4, 5 & 6 Ft.



# INTEGRITY™

ALUMINUM PRODUCTS

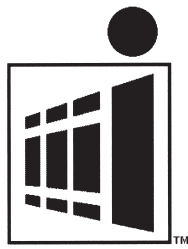
800.762.8876



## BOCA GRANDE™ CLASSIC EXTREME

DIMENSIONS					
HT	A	B	C	D	E
3'	2"	40½"	5½"	Per Local Code	
3½'	2"	40½"	5½"	Per Local Code	
4'	2"	40½"	5½"	Per Local Code	
All Dimensions Are Nominal					

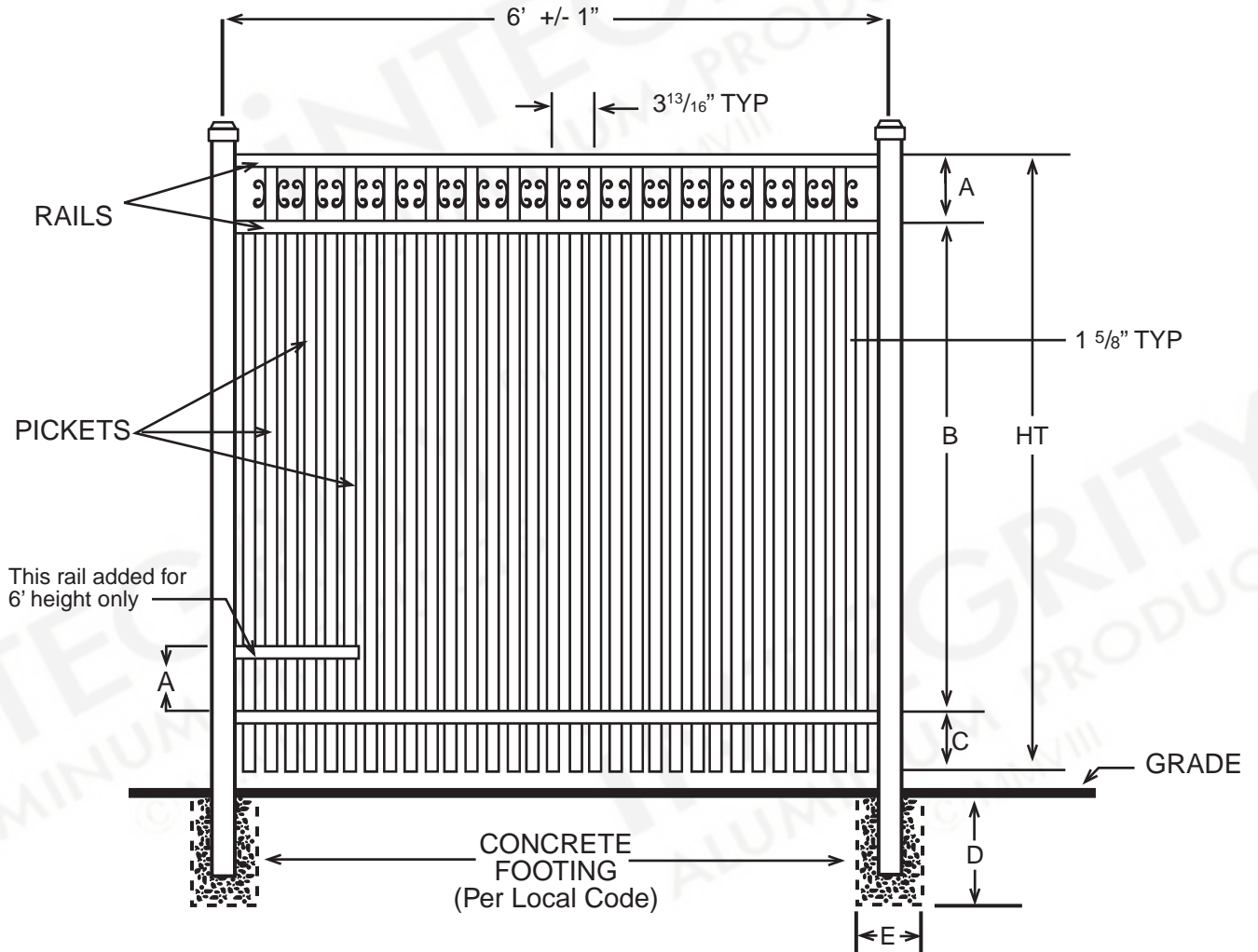
SPECIFICATIONS RESIDENTIAL	
Posts Available	2" x 2" x .060 Wall 2" x 2" x .080 Wall 2" x 2" x .125 Wall 2½" X 2½" X .100 Wall
Horizontal Rails Side Walls Top Walls	1⅛" x 1" .082" .062"
Pickets Picket Spacing	⅝" x ⅝" x .050 Wall 1⅝"
Heights Available	3, 3½ & 4 Ft.



# INTEGRITY™

## ALUMINUM PRODUCTS

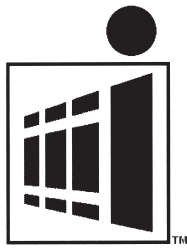
800.762.8876



## CAMARILLO™ CLASSIC EXTREME

DIMENSIONS					
HT	A	B	C	D	E
3'	6"	24½"	5½"	Per Local Code	
3½'	6"	30½"	5½"	Per Local Code	
4'	6"	36½"	5½"	Per Local Code	
5'	6"	48½"	5½"	Per Local Code	
6'	6"	60½"	5½"	Per Local Code	
All Dimensions Are Nominal					

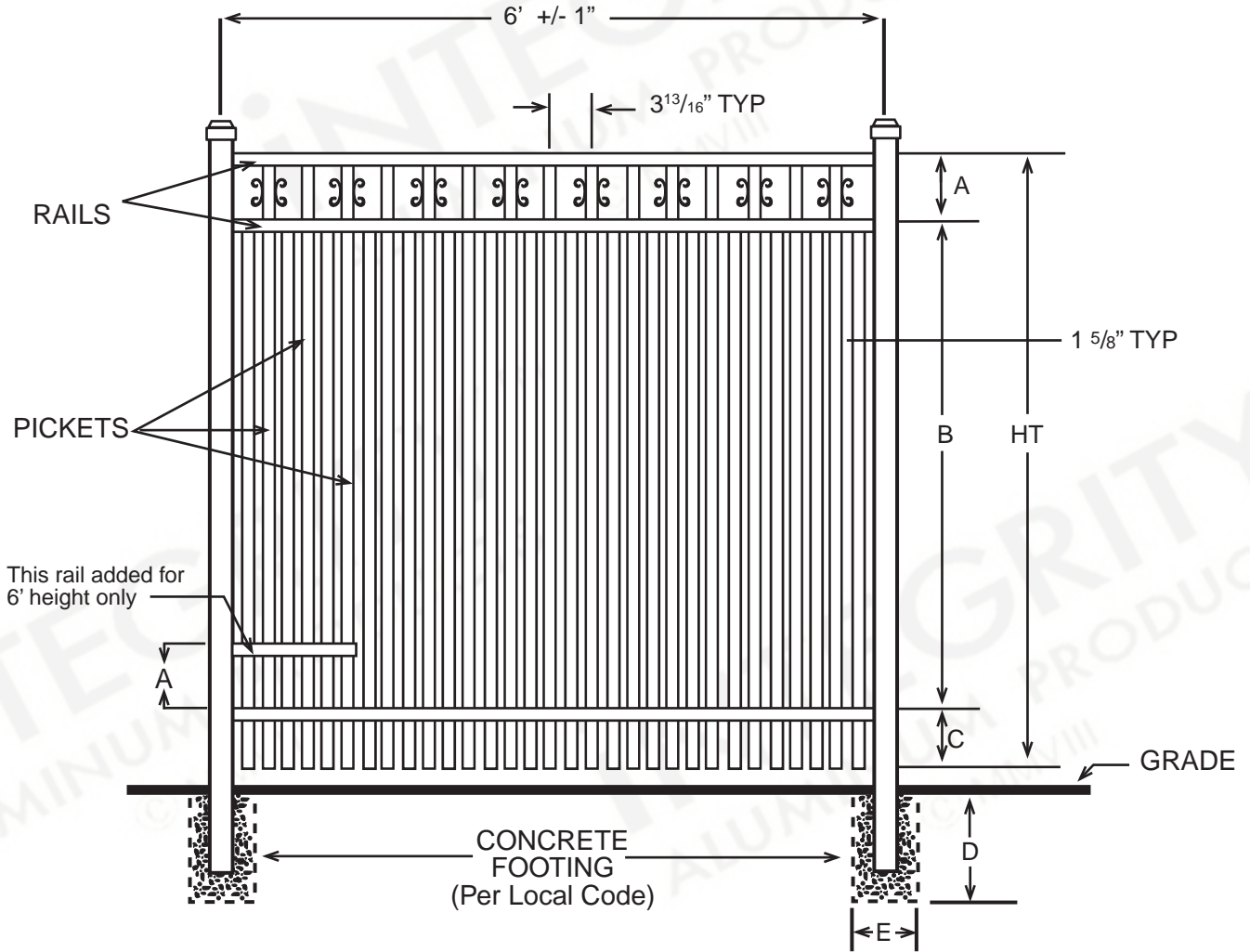
SPECIFICATIONS RESIDENTIAL	
Posts Available	2" x 2" x .060 Wall 2" x 2" x .080 Wall 2" x 2" x .125 Wall 2½" X 2½" X .100 Wall
Horizontal Rails Side Walls Top Walls	1⅛" x 1" .082" .062"
Pickets Picket Spacing	⅝" x ⅝" x .050 Wall 1⅝"
Heights Available	3, 3½, 4, 5 & 6 Ft.



# INTEGRITY™

## ALUMINUM PRODUCTS

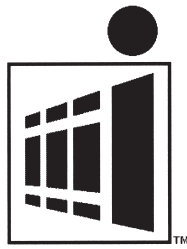
800.762.8876



## CAMARILLO LIGHT™ CLASSIC EXTREME

DIMENSIONS					
HT	A	B	C	D	E
3'	6"	24½"	5½"	Per Local Code	
3½'	6"	30½"	5½"	Per Local Code	
4'	6"	36½"	5½"	Per Local Code	
5'	6"	48½"	5½"	Per Local Code	
6'	6"	60½"	5½"	Per Local Code	
All Dimensions Are Nominal					

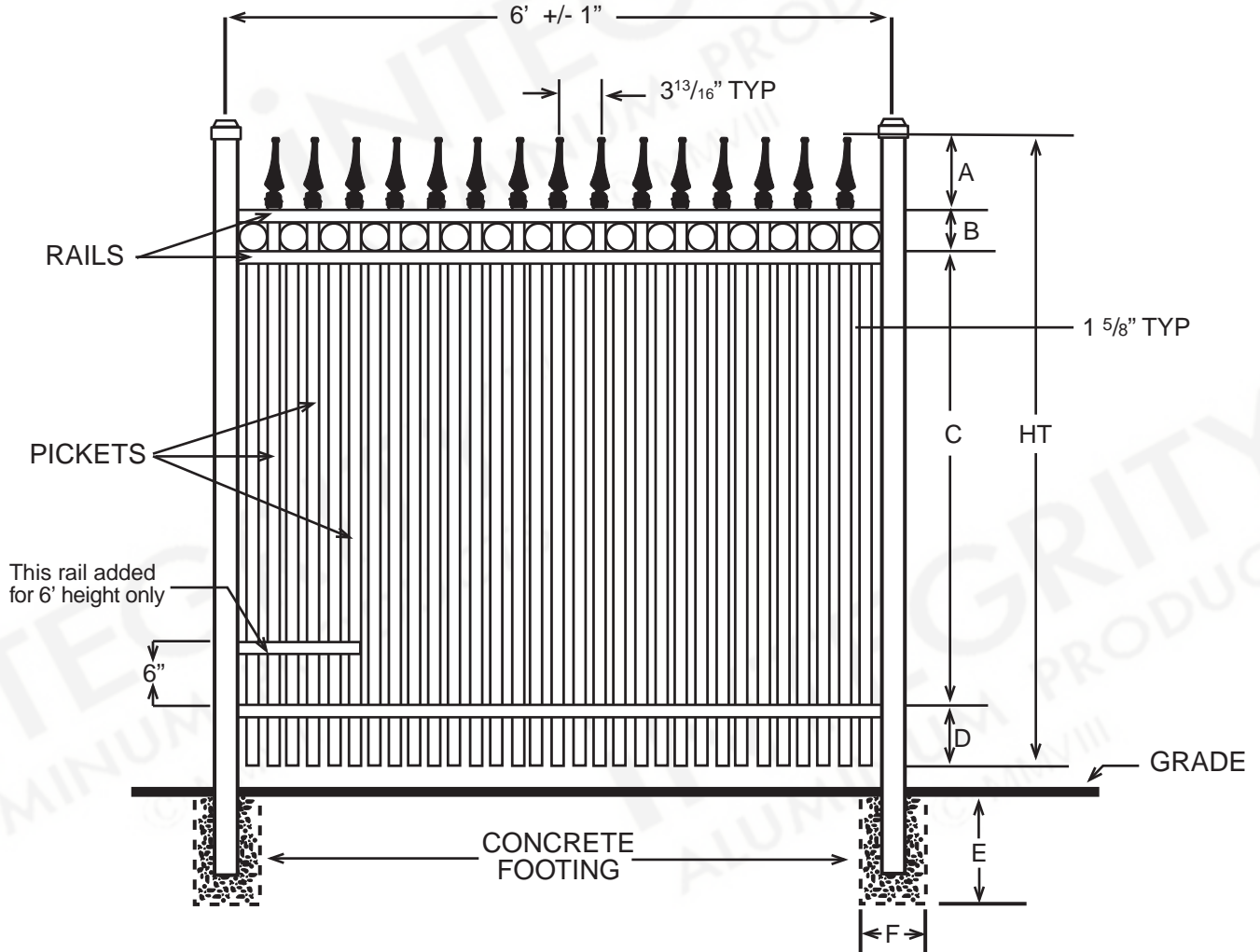
SPECIFICATIONS RESIDENTIAL	
Posts Available	2" x 2" x .060 Wall 2" x 2" x .080 Wall 2" x 2" x .125 Wall 2½" X 2½" X .100 Wall
Horizontal Rails Side Walls Top Walls	1⅛" x 1" .082" .062"
Pickets Picket Spacing	⅝" x ⅝" x .050 Wall 1⅝"
Heights Available	3, 3½, 4, 5 & 6 Ft.



# INTEGRITY™

ALUMINUM PRODUCTS

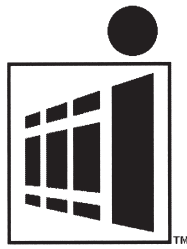
800.762.8876



## CAMELOT™ CLASSIC EXTREME

DIMENSIONS						
HT	A	B	C	D	E	F
3'	4½"	4½"	21½"	5½"	Per Local Code	
3½'	4½"	4½"	27½"	5½"	Per Local Code	
4'	4½"	4½"	33½"	5½"	Per Local Code	
5'	4½"	4½"	45½"	5½"	Per Local Code	
6'	4½"	4½"	57½"	5½"	Per Local Code	
All Dimensions Are Nominal						

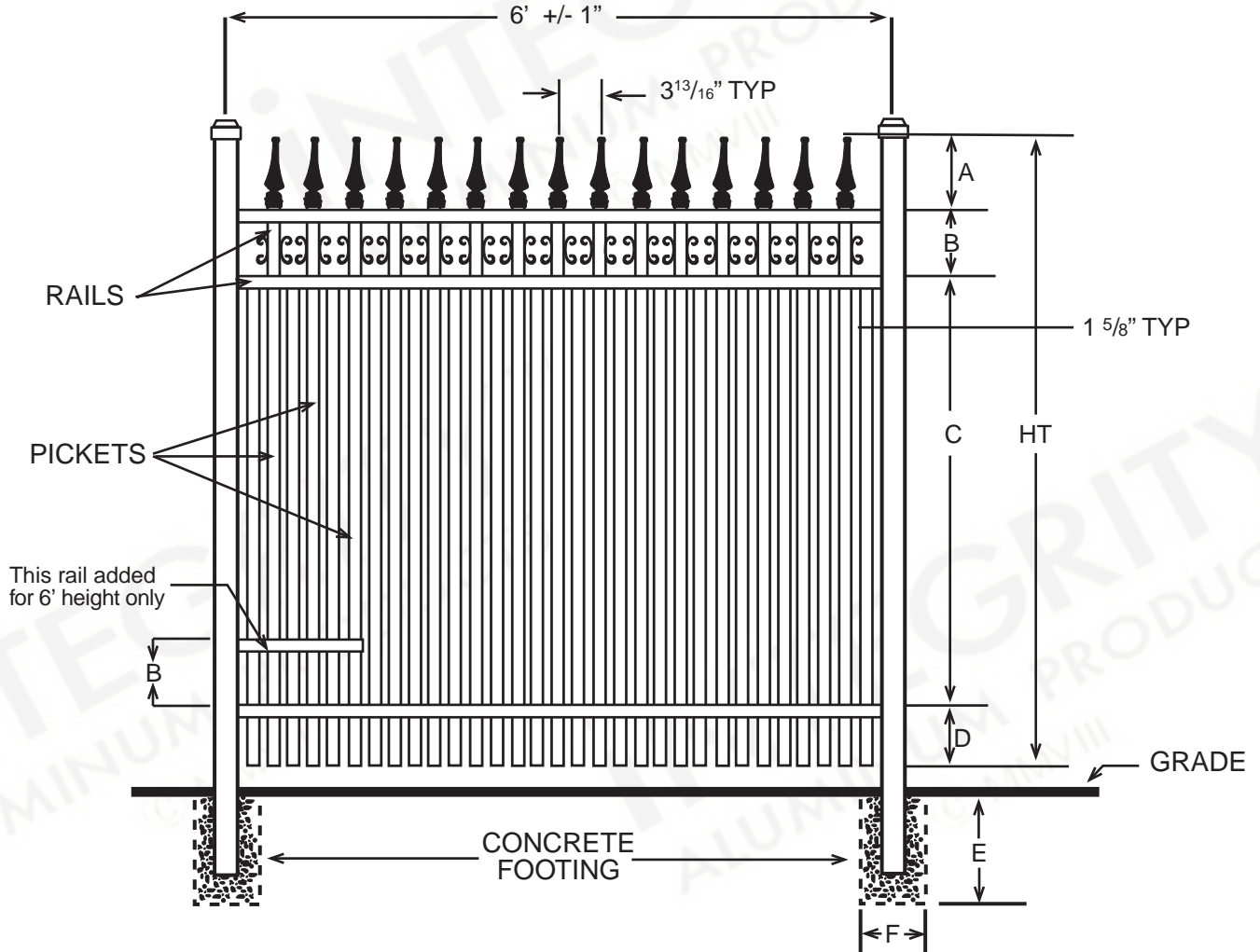
SPECIFICATIONS RESIDENTIAL	
Posts Available	2" x 2" x .060 Wall 2" x 2" x .080 Wall 2" x 2" x .125 Wall 2½" X 2½" X .100 Wall
Horizontal Rails Side Walls Top Walls	1⅛" x 1" .082" .062"
Pickets Picket Spacing	⅝" x ⅝" x .050 Wall 1⅝"
Heights Available	3, 3½, 4, 5 & 6 Ft.



# INTEGRITY™

## ALUMINUM PRODUCTS

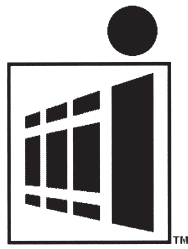
800.762.8876



## CASTILE™ CLASSIC EXTREME

DIMENSIONS						
HT	A	B	C	D	E	F
3'	4½"	6"	20"	5½"	Per Local Code	
3½'	4½"	6"	26"	5½"	Per Local Code	
4'	4½"	6"	32"	5½"	Per Local Code	
5'	4½"	6"	44"	5½"	Per Local Code	
6'	4½"	6"	56"	5½"	Per Local Code	
All Dimensions Are Nominal						

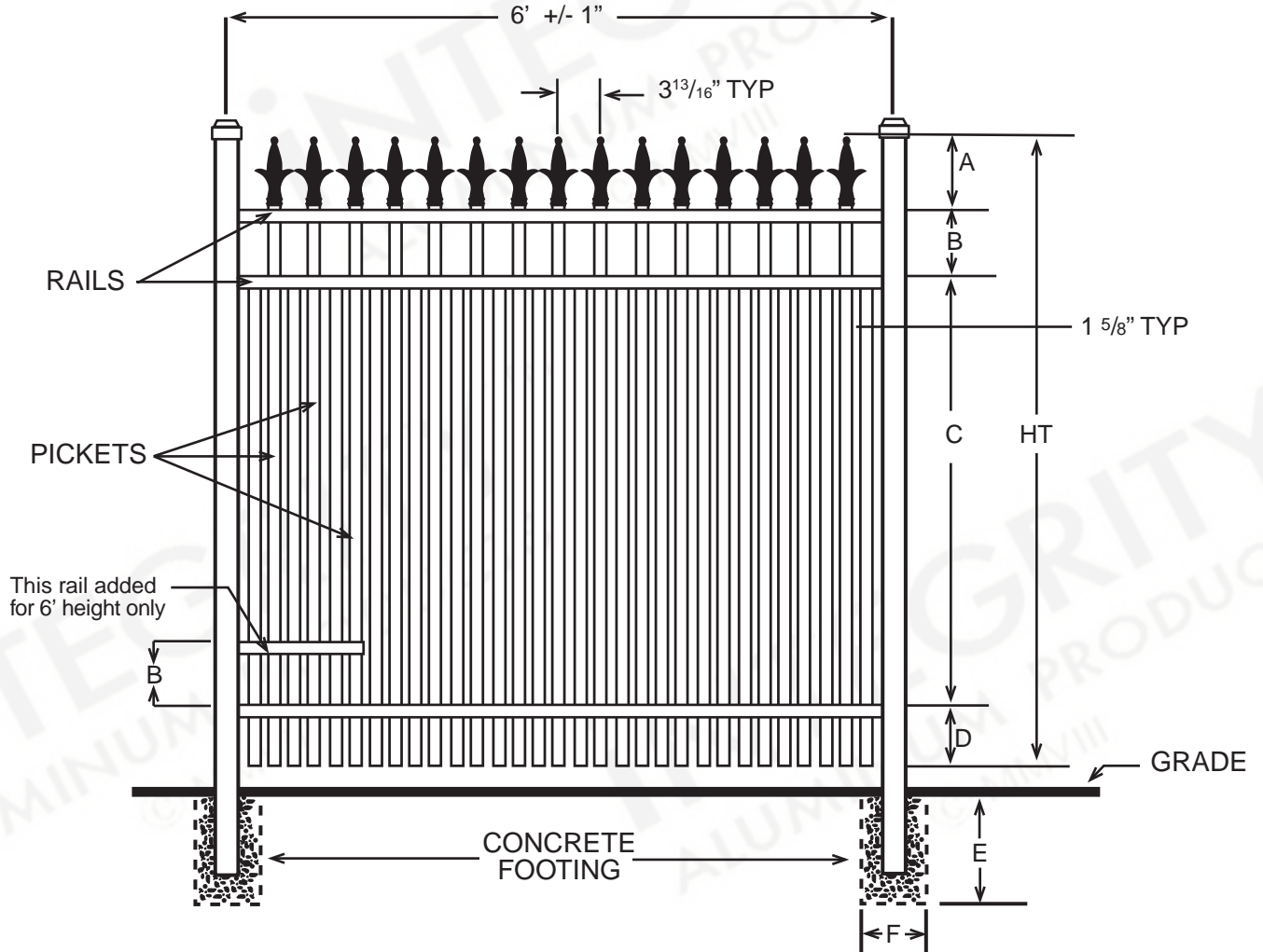
SPECIFICATIONS RESIDENTIAL	
Posts Available	2" x 2" x .060 Wall 2" x 2" x .080 Wall 2" x 2" x .125 Wall 2½" X 2½" X .100 Wall
Horizontal Rails Side Walls Top Walls	1⅛" x 1" .082" .062"
Pickets Picket Spacing	⅝" x ⅝" x .050 Wall 1⅝"
Heights Available	3, 3½, 4, 5 & 6 Ft.



# INTEGRITY™

ALUMINUM PRODUCTS

800.762.8876

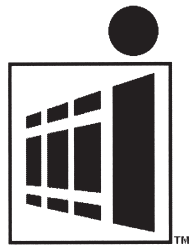


## CHARLEMAGNE™ CLASSIC EXTREME

DIMENSIONS						
HT	A	B	C	D	E	F
3'	4 1/2"	6"	20"	5 1/2"	Per Local Code	
3 1/2'	4 1/2"	6"	26"	5 1/2"	Per Local Code	
4'	4 1/2"	6"	32"	5 1/2"	Per Local Code	
5'	4 1/2"	6"	44"	5 1/2"	Per Local Code	
6'	4 1/2"	6"	56"	5 1/2"	Per Local Code	
All Dimensions Are Nominol						

SPECIFICATIONS RESIDENTIAL	
Posts Available	2" x 2" x .060 Wall 2" x 2" x .080 Wall 2" x 2" x .125 Wall 2 1/2" X 2 1/2" X .100 Wall
Horizontal Rails Side Walls Top Walls	1 1/8" x 1" .082" .062"
Pickets Picket Spacing	5/8" x 5/8" x .050 Wall 1 5/8"
Heights Available	3, 3 1/2, 4, 5 & 6 Ft.

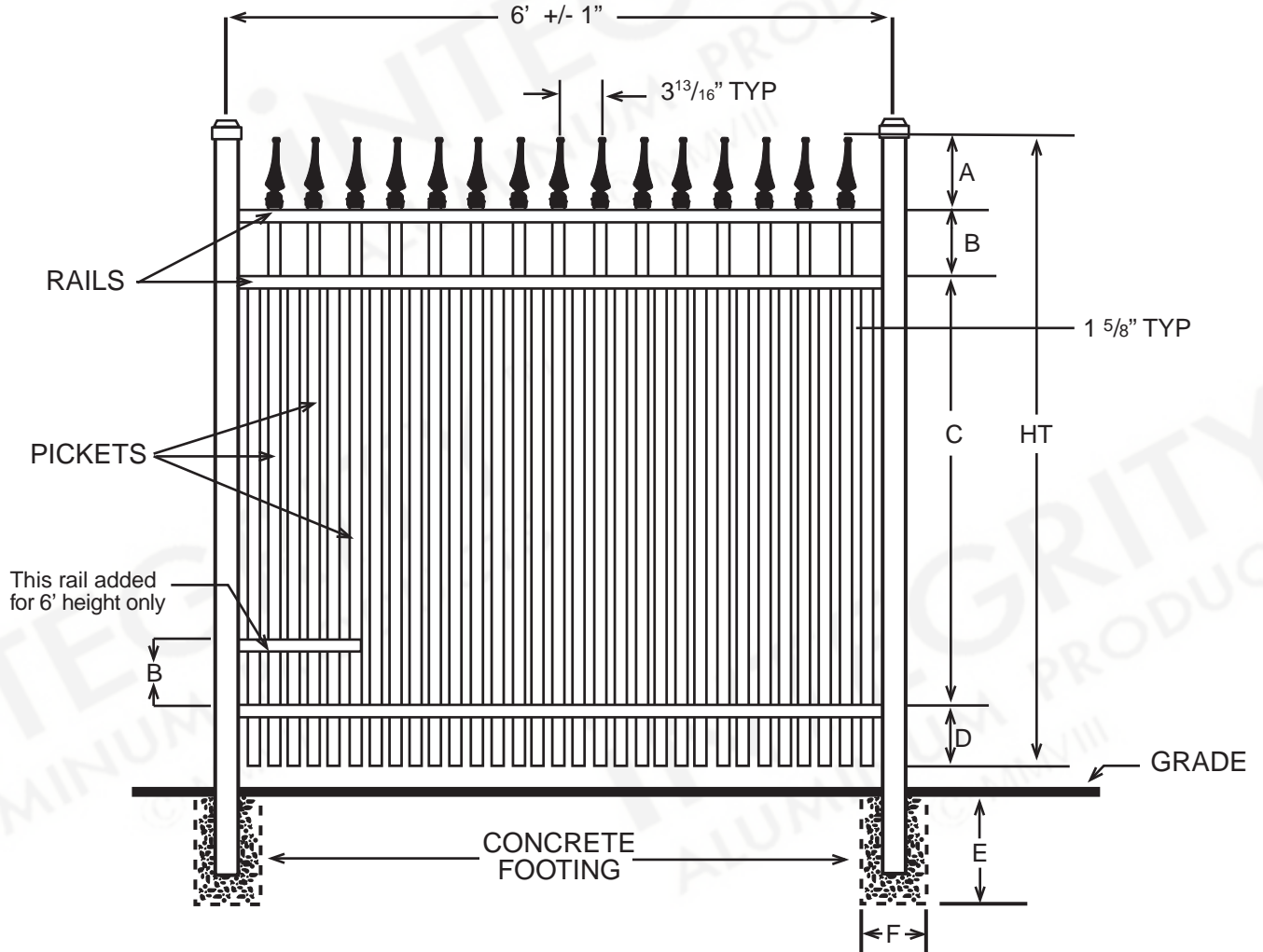




# INTEGRITY™

ALUMINUM PRODUCTS

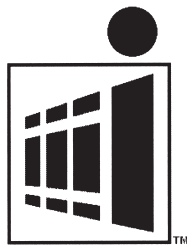
800.762.8876



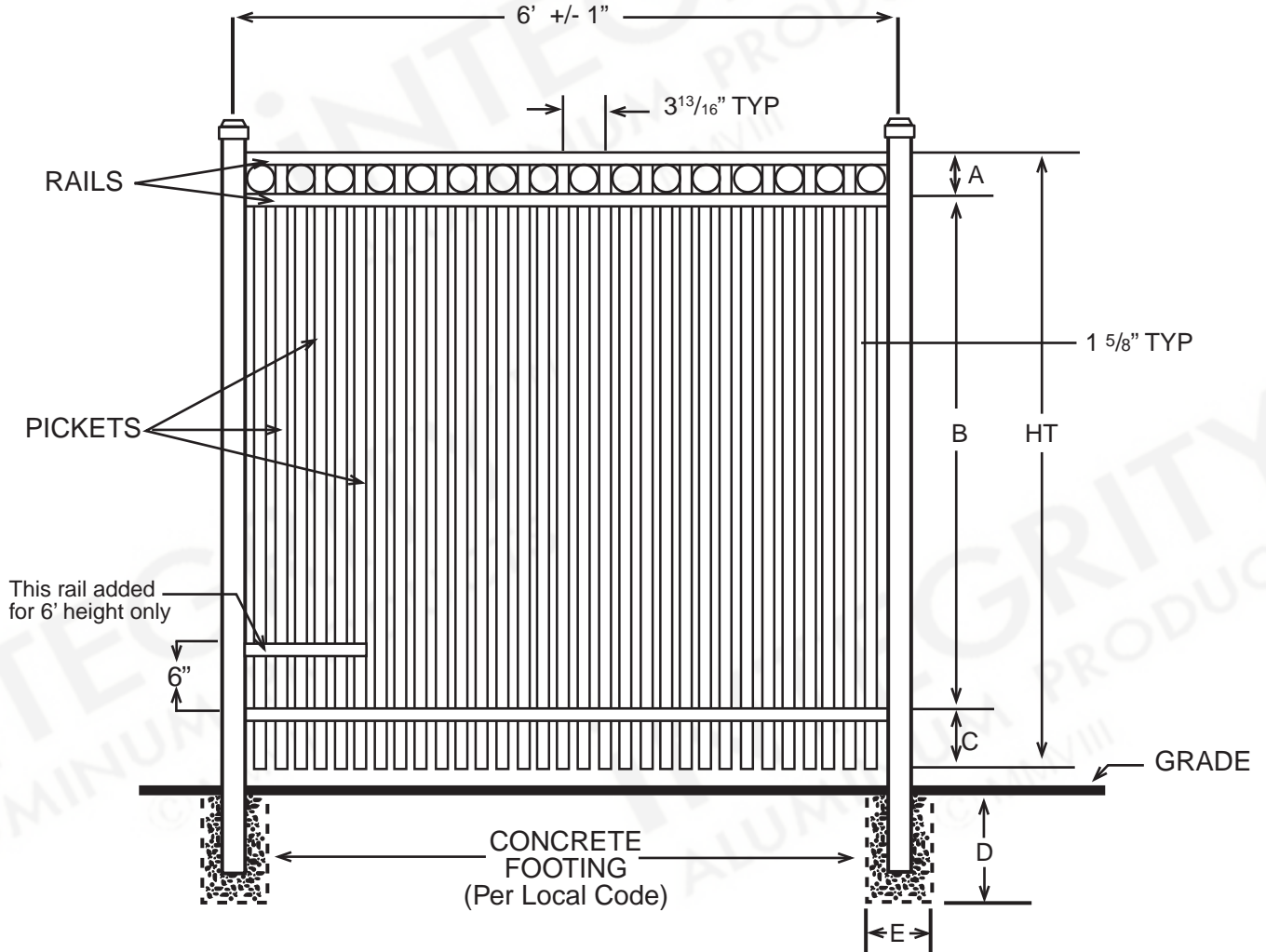
## MISSION POINT™ CLASSIC EXTREME

DIMENSIONS						
HT	A	B	C	D	E	F
3'	4½"	6"	20"	5½"	Per Local Code	
3½'	4½"	6"	26"	5½"	Per Local Code	
4'	4½"	6"	32"	5½"	Per Local Code	
5'	4½"	6"	44"	5½"	Per Local Code	
6'	4½"	6"	56"	5½"	Per Local Code	
All Dimensions Are Nominal						

SPECIFICATIONS RESIDENTIAL	
Posts Available	2" x 2" x .060 Wall 2" x 2" x .080 Wall 2" x 2" x .125 Wall 2½" X 2½" X .100 Wall
Horizontal Rails Side Walls Top Walls	1⅛" x 1" .082" .062"
Pickets Picket Spacing	⅝" x ⅝" x .050 Wall 1⅝"
Heights Available	3, 3½, 4, 5 & 6 Ft.



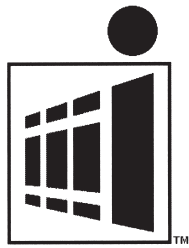
**iNTEGRITY™**  
 ALUMINUM PRODUCTS  
 800.762.8876



**NAPA VALLEY™**  
 CLASSIC EXTREME

DIMENSIONS					
HT	A	B	C	D	E
3'	4½"	26"	5½"	Per Local Code	
3½'	4½"	32"	5½"	Per Local Code	
4'	4½"	38"	5½"	Per Local Code	
5'	4½"	50"	5½"	Per Local Code	
6'	4½"	62"	5½"	Per Local Code	
All Dimensions Are Nominal					

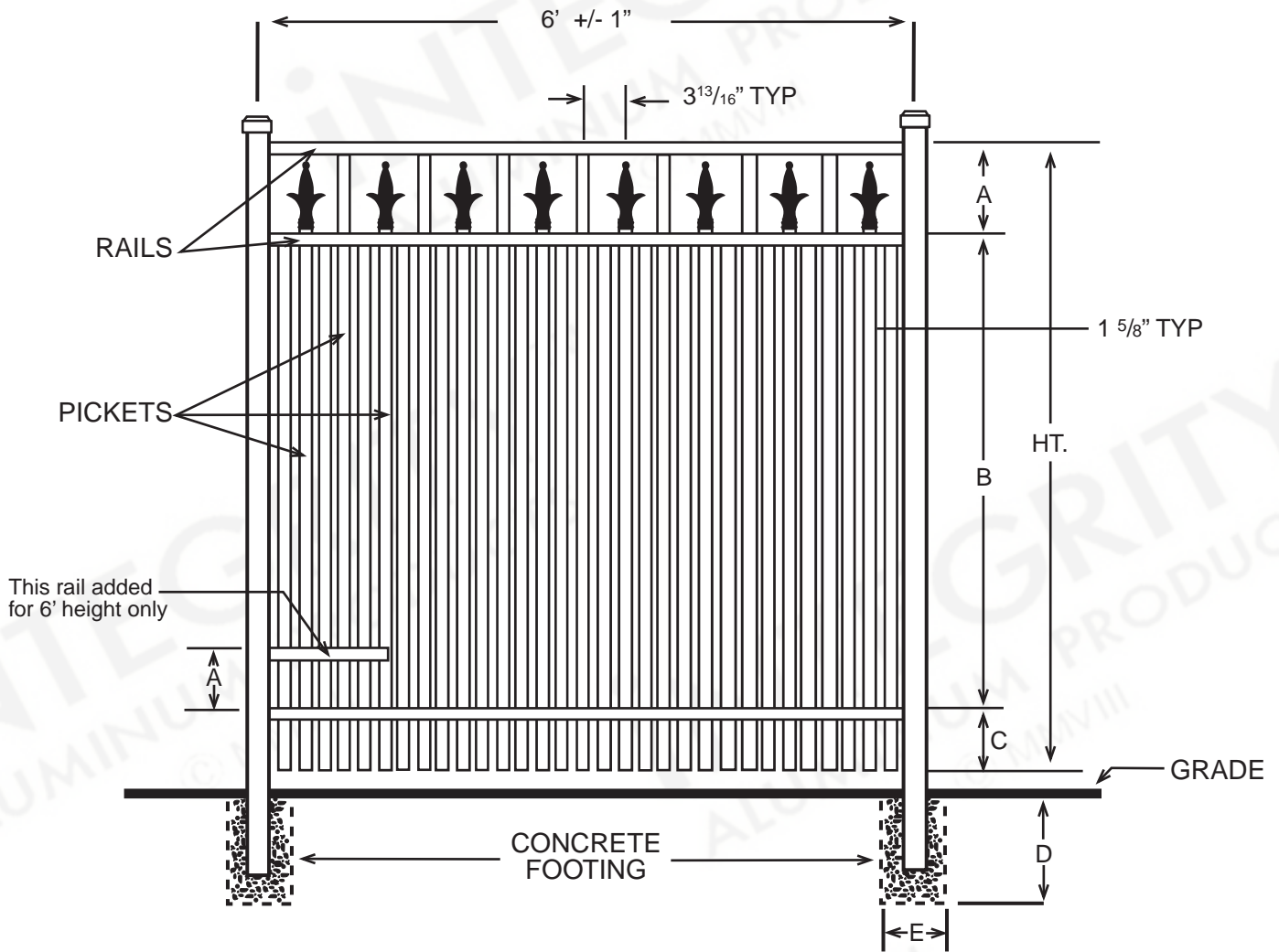
SPECIFICATIONS RESIDENTIAL	
Posts Available	2" x 2" x .060 Wall 2" x 2" x .080 Wall 2" x 2" x .125 Wall 2½" X 2½" X .100 Wall
Horizontal Rails Side Walls Top Walls	1⅛" x 1" .082" .062"
Pickets Picket Spacing	5/8" x 5/8" x .050 Wall 1⅝"
Heights Available	3, 3½, 4, 5 & 6 Ft.



# INTEGRITY™

ALUMINUM PRODUCTS

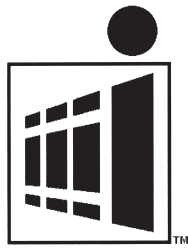
800.762.8876



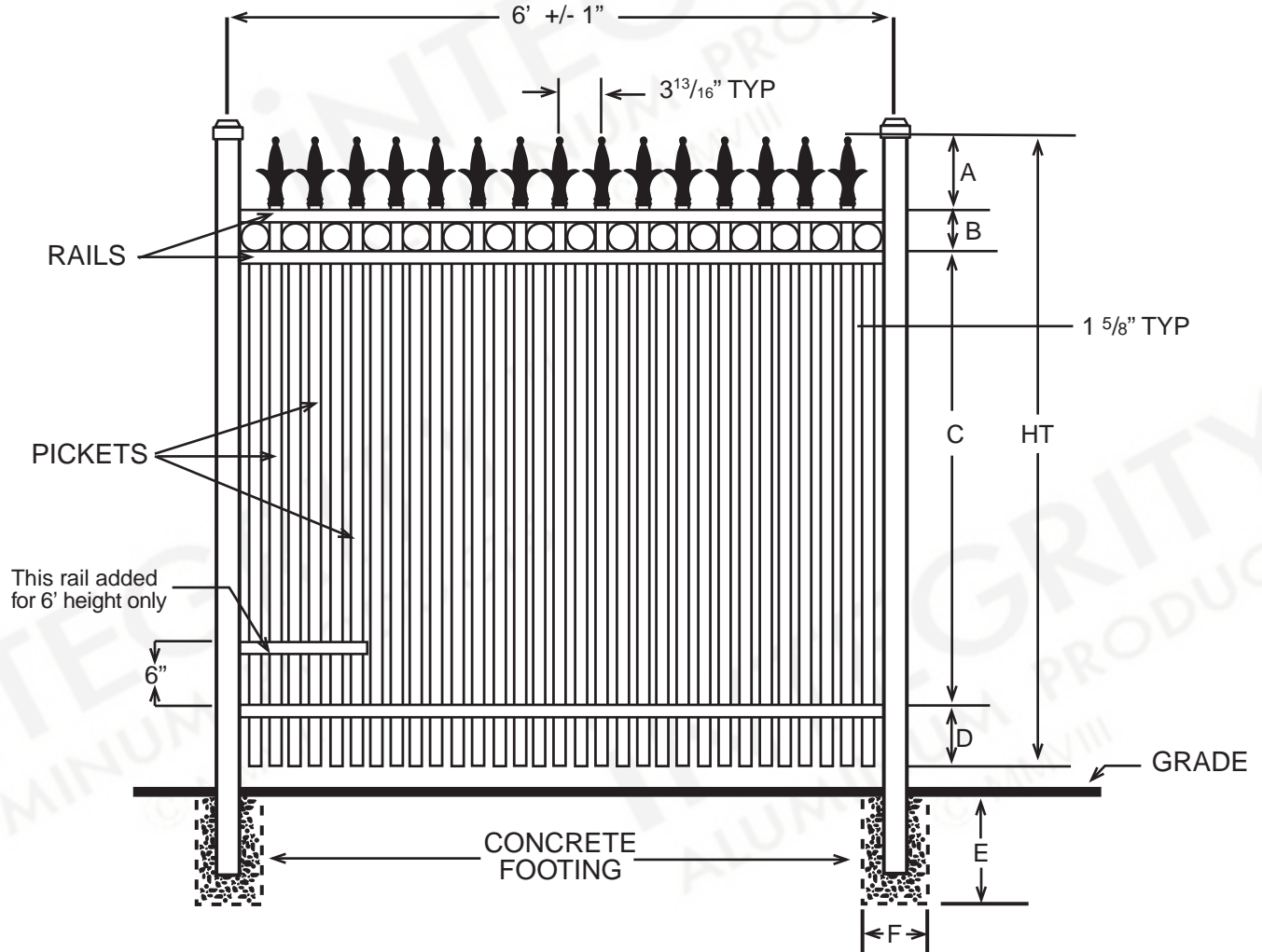
## NEW ORLEANS™ CLASSIC EXTREME

DIMENSIONS					
HT	A	B	C	D	E
3'	6"	24½"	5½"	Per Local Code	
3½'	6"	30½"	5½"	Per Local Code	
4'	6"	36½"	5½"	Per Local Code	
5'	6"	48½"	5½"	Per Local Code	
6'	6"	60½"	5½"	Per Local Code	
All Dimensions Are Nominal					

SPECIFICATIONS RESIDENTIAL	
Posts Available	2" x 2" x .060 Wall 2" x 2" x .080 Wall 2" x 2" x .125 Wall 2½" X 2½" X .100 Wall
Horizontal Rails Side Walls Top Walls	1⅛" x 1" .082" .062"
Pickets Picket Spacing	⅝" x ⅝" x .050 Wall 1⅝"
Heights Available	3, 3½, 4, 5 & 6 Ft.



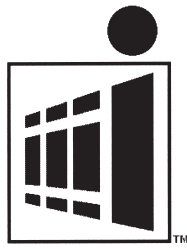
**iNTEGRITY™**  
 ALUMINUM PRODUCTS  
 800.762.8876



**PROVIDENCE™**  
 CLASSIC EXTREME

DIMENSIONS						
HT	A	B	C	D	E	F
3'	4½"	4½"	21½"	5½"	Per Local Code	
3½'	4½"	4½"	27½"	5½"	Per Local Code	
4'	4½"	4½"	33½"	5½"	Per Local Code	
5'	4½"	4½"	45½"	5½"	Per Local Code	
6'	4½"	4½"	57½"	5½"	Per Local Code	
All Dimensions Are Nominal						

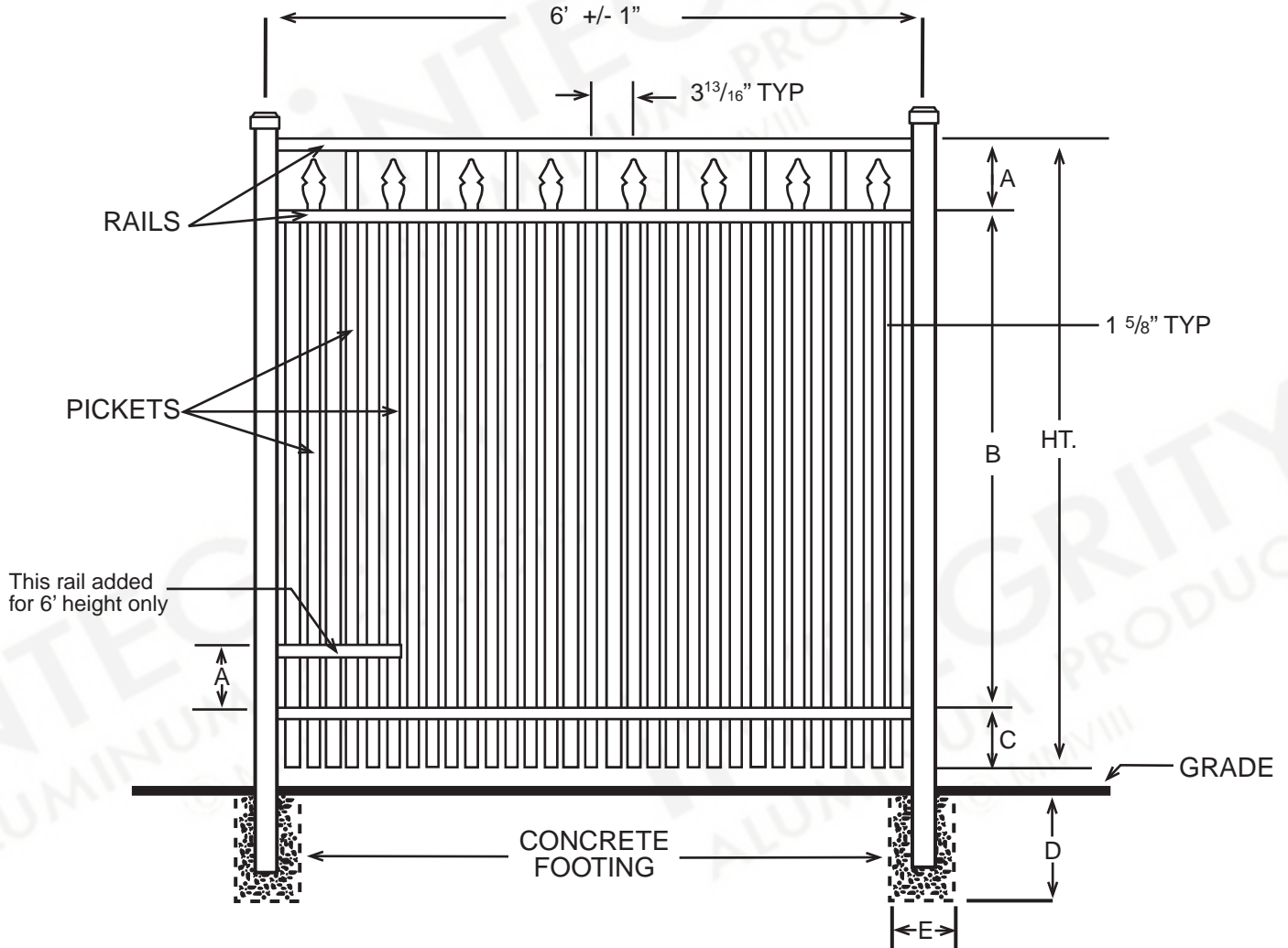
SPECIFICATIONS RESIDENTIAL	
Posts Available	2" x 2" x .060 Wall 2" x 2" x .080 Wall 2" x 2" x .125 Wall 2½" X 2½" X .100 Wall
Horizontal Rails Side Walls Top Walls	1 1/8" x 1" .082" .062"
Pickets Picket Spacing	5/8" x 5/8" x .050 Wall 1 5/8"
Heights Available	3, 3½, 4, 5 & 6 Ft.



# INTEGRITY™

## ALUMINUM PRODUCTS

800.762.8876

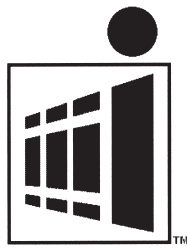


## SANIBEL™ CLASSIC EXTREME

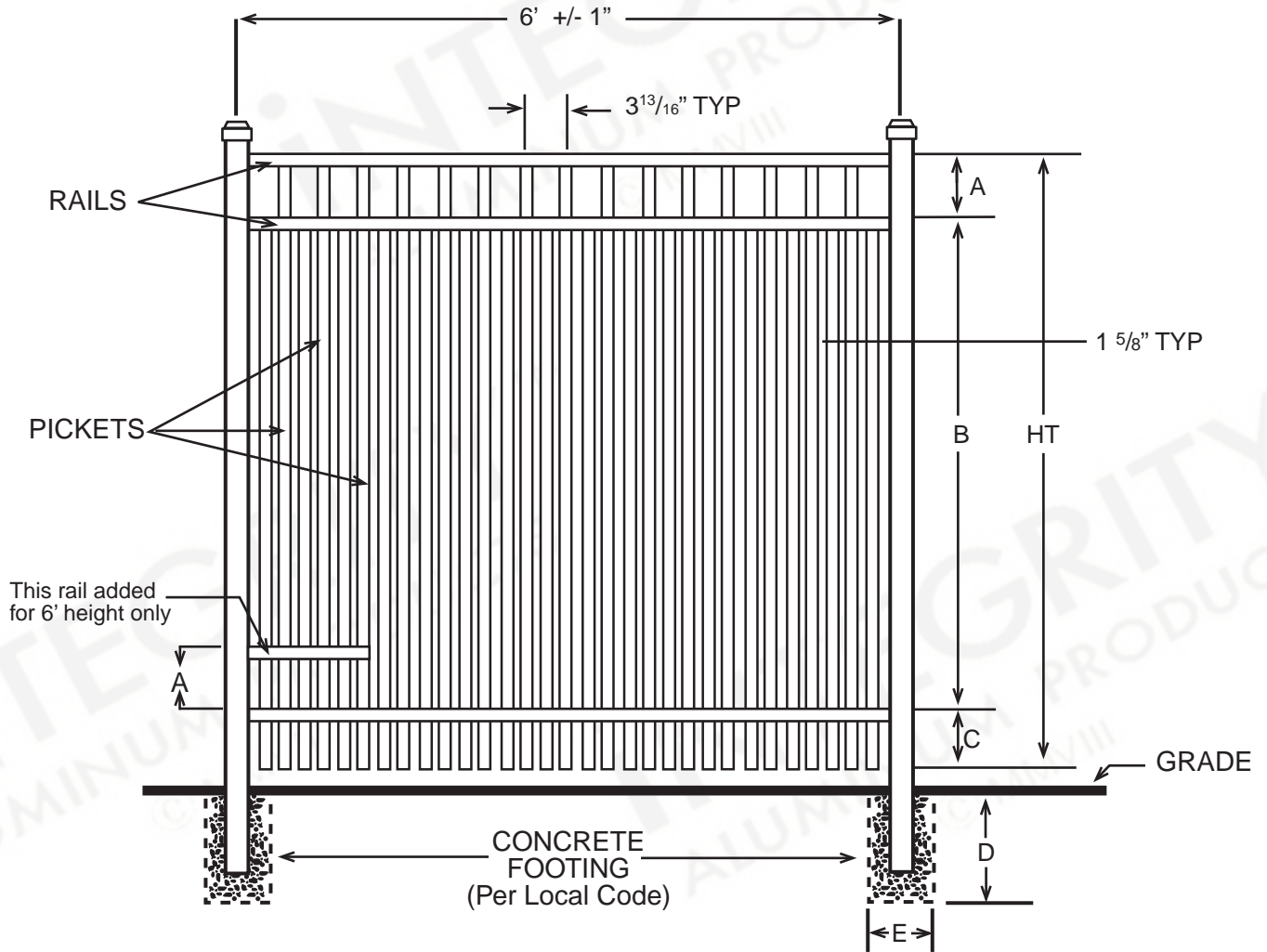
DIMENSIONS					
HT	A	B	C	D	E
3'	6"	24½"	5½"	Per Local Code	
3½'	6"	30½"	5½"	Per Local Code	
4'	6"	36½"	5½"	Per Local Code	
5'	6"	48½"	5½"	Per Local Code	
6'	6"	60½"	5½"	Per Local Code	
All Dimensions Are Nominal					

## SPECIFICATIONS RESIDENTIAL

Posts Available	2" x 2" x .060 Wall 2" x 2" x .080 Wall 2" x 2" x .125 Wall 2½" X 2½" X .100 Wall
Horizontal Rails Side Walls Top Walls	1⅛" x 1" .082" .062"
Pickets Picket Spacing	⅝" x ⅝" x .050 Wall 1⅝"
Heights Available	3, 3½, 4, 5 & 6 Ft.



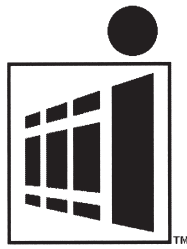
**iNTEGRITY™**  
 ALUMINUM PRODUCTS  
 800.762.8876



**SAN MARINO™**  
 CLASSIC EXTREME

DIMENSIONS					
HT	A	B	C	D	E
3'	6"	24½"	5½"	Per Local Code	
3½'	6"	30½"	5½"	Per Local Code	
4'	6"	36½"	5½"	Per Local Code	
5'	6"	48½"	5½"	Per Local Code	
6'	6"	60½"	5½"	Per Local Code	
All Dimensions Are Nominal					

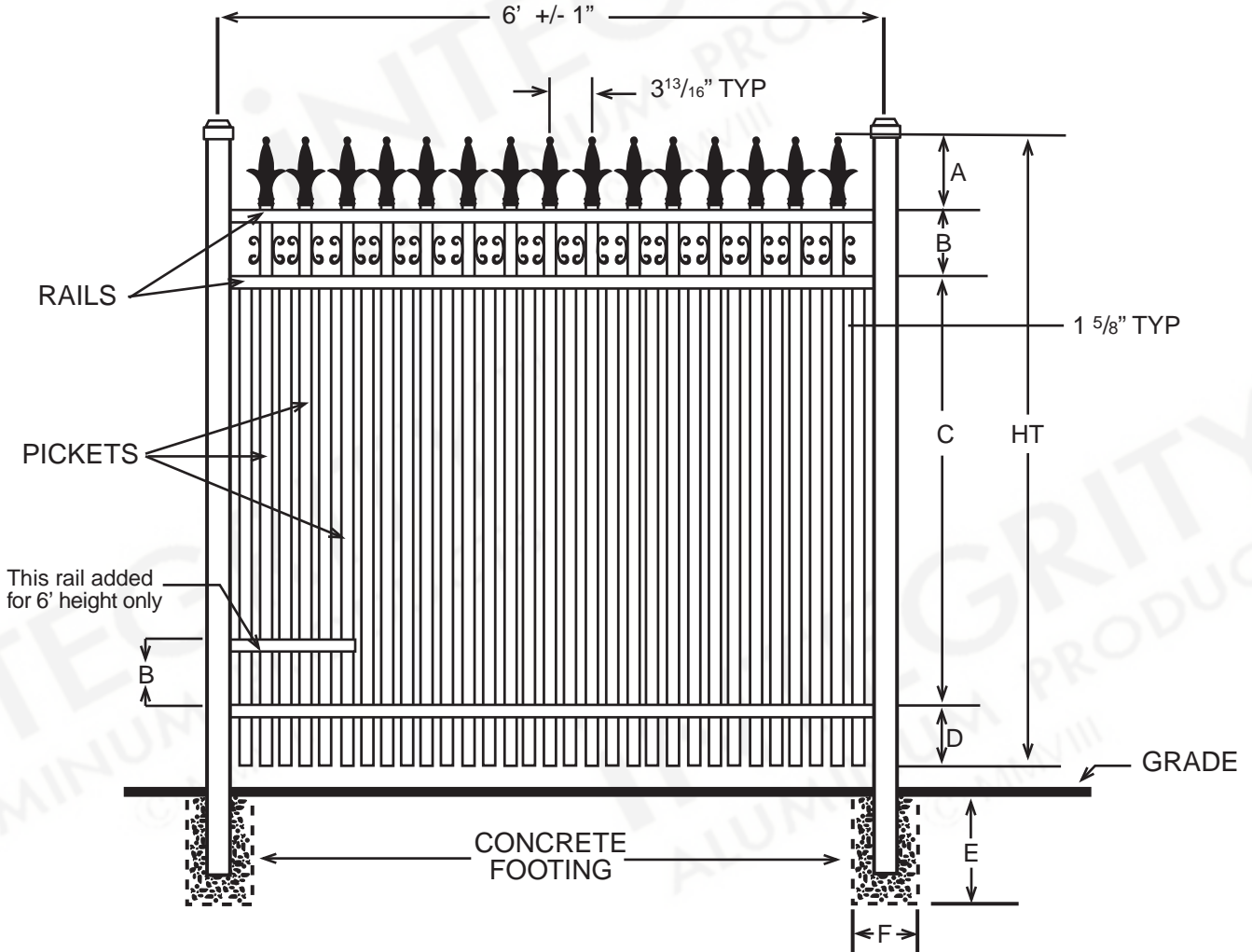
SPECIFICATIONS RESIDENTIAL	
Posts Available	2" x 2" x .060 Wall 2" x 2" x .080 Wall 2" x 2" x .125 Wall 2½" X 2½" X .100 Wall
Horizontal Rails Side Walls Top Walls	1⅛" x 1" .082" .062"
Pickets Picket Spacing	⅝" x ⅝" x .050 Wall 1⅝"
Heights Available	3, 3½, 4, 5 & 6 Ft.



# INTEGRITY™

ALUMINUM PRODUCTS

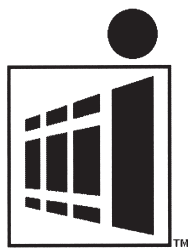
800.762.8876



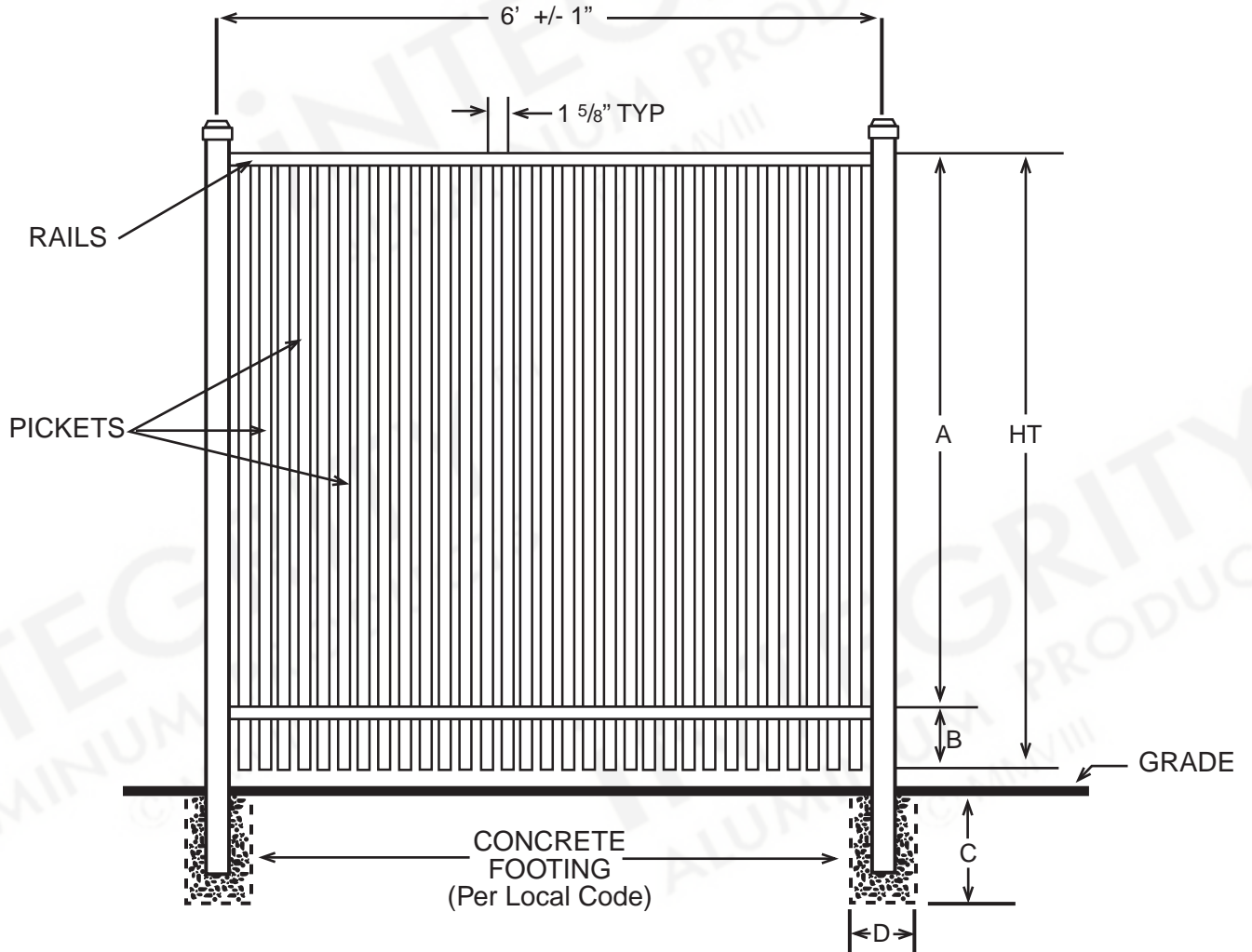
## VALENCIA™ CLASSIC EXTREME

DIMENSIONS						
HT	A	B	C	D	E	F
3'	4½"	6"	20"	5½"	Per Local Code	
3½'	4½"	6"	26"	5½"	Per Local Code	
4'	4½"	6"	32"	5½"	Per Local Code	
5'	4½"	6"	44"	5½"	Per Local Code	
6'	4½"	6"	56"	5½"	Per Local Code	
All Dimensions Are Nominal						

SPECIFICATIONS RESIDENTIAL	
Posts Available	2" x 2" x .060 Wall 2" x 2" x .080 Wall 2" x 2" x .125 Wall 2½" X 2½" X .100 Wall
Horizontal Rails Side Walls Top Walls	1⅛" x 1" .082" .062"
Pickets Picket Spacing	⅝" x ⅝" x .050 Wall 1⅝"
Heights Available	3, 3½, 4, 5 & 6 Ft.



**iNTEGRITY™**  
 ALUMINUM PRODUCTS  
 800.762.8876



**VENTURA™**  
 CLASSIC EXTREME

DIMENSIONS				
HT	A	B	C	D
3'	30½"	5½"	Per Local Code	
3½'	36½"	5½"	Per Local Code	
4'	42½"	5½"	Per Local Code	
All Dimensions Are Nominal				

SPECIFICATIONS RESIDENTIAL	
Posts Available	2" x 2" x .060 Wall 2" x 2" x .080 Wall 2" x 2" x .125 Wall 2½" X 2½" X .100 Wall
Horizontal Rails Side Walls Top Walls	1⅛" x 1" .082" .062"
Pickets Picket Spacing	⅝" x ⅝" x .050 Wall 1⅝"
Heights Available	3, 3½ & 4 Ft.